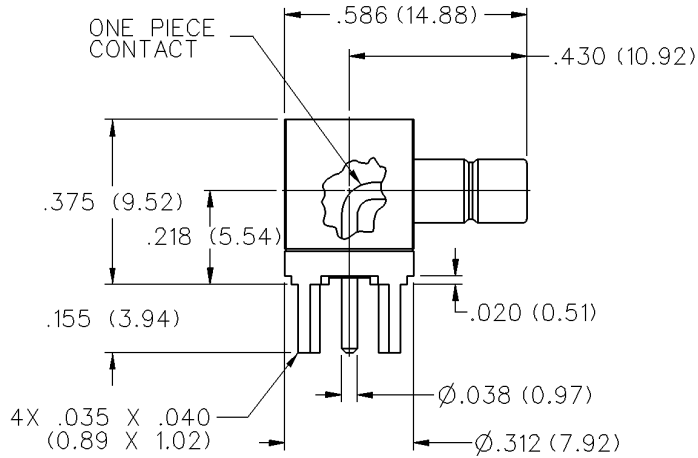
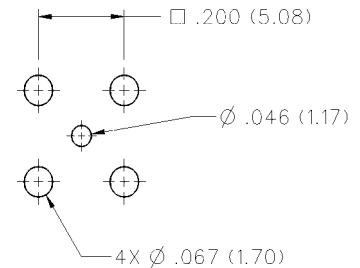


Right Angle Jack Receptacle



GOLD PLATED

131-9701-301



SPECIFICATIONS

ELECTRICAL RATINGS

Impedance: 50 ohms

Frequency Range: 0-4 GHz

VSWR: (f = GHz)

| | Straight Cabled | Right Angle Cabled |
|----------------------------|--------------------|-----------------------|
| RG-316 | 1.25 + .04f | 1.35 + .04f |
| Uncabled receptacles | N/A | N/A |

Working Voltage: (Vrms maximum)

| Connectors for Cable Type | Sea Level | 70K Feet |
|-----------------------------------|-----------|----------|
| RG-316, uncabled connectors | 335 | 85 |

Dielectric Withstanding Voltage: (VRMS minimum at sea level)

| | |
|---|------|
| Connectors for RG-316, uncabled receptacles | 1000 |
|---|------|

Corona Level: (Volts minimum at 70,000 feet)

| | |
|-----------------------------|-----|
| Connectors for RG-316 | 250 |
| Uncabled receptacles | N/A |

Insertion Loss: (dB maximum, tested at 1.5 GHz)

| | |
|------------------------------------|---------|
| Straight cable connectors | 0.30 dB |
| Right angle cable connectors | 0.60 dB |
| Uncabled receptacles | N/A |

Insulation Resistance: 1000 megohms minimum

| Contact Resistance: (milliohms maximum) | Initial | After Environmental |
|--|---------|---------------------|
| Center contact (straight cabled connectors and uncabled receptacles) | 6.0 | 8.0 |
| Center contact (right angle cabled connectors) | 12.0 | 16.0 |
| Outer contact (gold plated connectors) | 1.0 | 1.5 |
| Braid to body (gold plated connectors) | 1.0 | N/A |

RF Leakage: (dB minimum tested at 2.5 GHz)

| | |
|----------------------------|--------|
| Cable connectors | -55 dB |
| Uncabled receptacles | N/A |

RF High Potential Withstanding Voltage: (Vrms minimum, tested at 4 and 7 MHz)

| | |
|-----------------------------|-----|
| Connectors for RG-316 | 700 |
| Uncabled receptacles | 600 |

Power Rating (Dummy Load): 0.5 watt @ +25°C, derated to 0.25 watt @ +125° C

MECHANICAL RATINGS

Engagement Design: MIL-STD-348, Series SMB

Engagement/Disengagement Force: 2 pounds min to 14 pounds maximum axial force

Contact Retention: 4 lbs. min axial force (captivated contacts)
1 inch-ounce min torque (uncabled receptacles)

| Cable Retention: | Axial Force* (pounds) | Torque (in-oz) |
|-----------------------|--------------------------|-------------------|
| Connectors for RG-316 | 20 | N/A |

*or cable breaking strength whichever is less.

Durability: 500 cycles minimum

ENVIRONMENTAL RATINGS

(Meets or exceeds the applicable paragraph of MIL-PRF-39012)

Temperature Range: - 65°C to + 165°C

Thermal Shock: MIL-STD-202, Method 107, Condition B

Corrosion: MIL-STD-202, Method 101, Condition B

Shock: MIL-STD-202, Method 213, Condition B

Vibration: MIL-STD-202, Method 204, Condition B